

## COVERED THERMOCOUPLES

**CHINO**  
**PS**  
PERFORMANCE SPECIFICATION

The wires of these thermocouples are covered with vinyl, glass wool or other covering materials so that these thermocouples are directly employable as a sensor without putting them into a protective tube or the like.

These sensors are employed in laboratories, study rooms, etc. in such a case that neither protective tube nor terminal box is required and also there is the fear of a insulation failure or a short circuit failure.

These sensors comprise 32 models according to the combinations of the kinds of covering (insulation), kinds of thermocouple wires, and wire diameters.



MODEL ET6



MODEL MK3



MODEL VT3



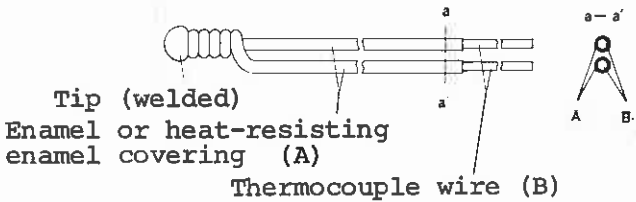
MODEL GK3



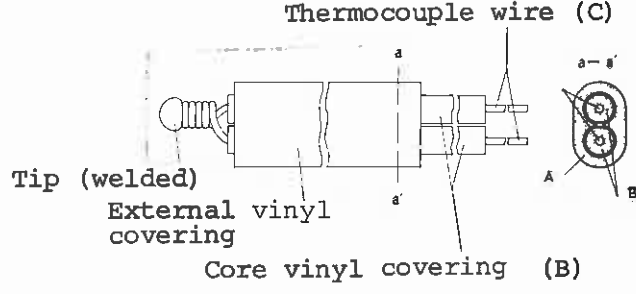
MODEL JT3

■ COMPOSITION OF COVERING

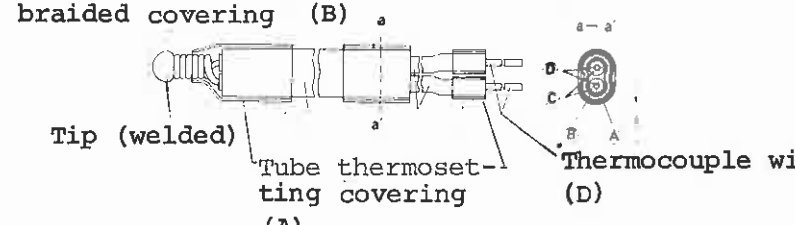
- Enamel (E□□), Heat-resisting enamel (M□□)

Applications	(Enamel) Narrow places, or places free of mechanical strength
	(Heat-resisting enamel) Same places as specified above (heat-resisting type)
Composition	 <p>Tip (welded) Enamel or heat-resisting enamel covering (A) Thermocouple wire (B)</p>

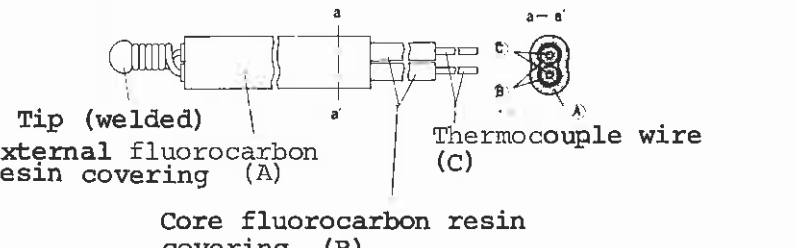
- Vinyl (V□□)

Applications	Acid-proof, alkali-proof, water-proof, organic chemicals-resisting (excluding benzene, acetone, cyclohexane, etc.)
Composition	 <p>Tip (welded) External vinyl covering Core vinyl covering (B) Thermocouple wire (C)</p>

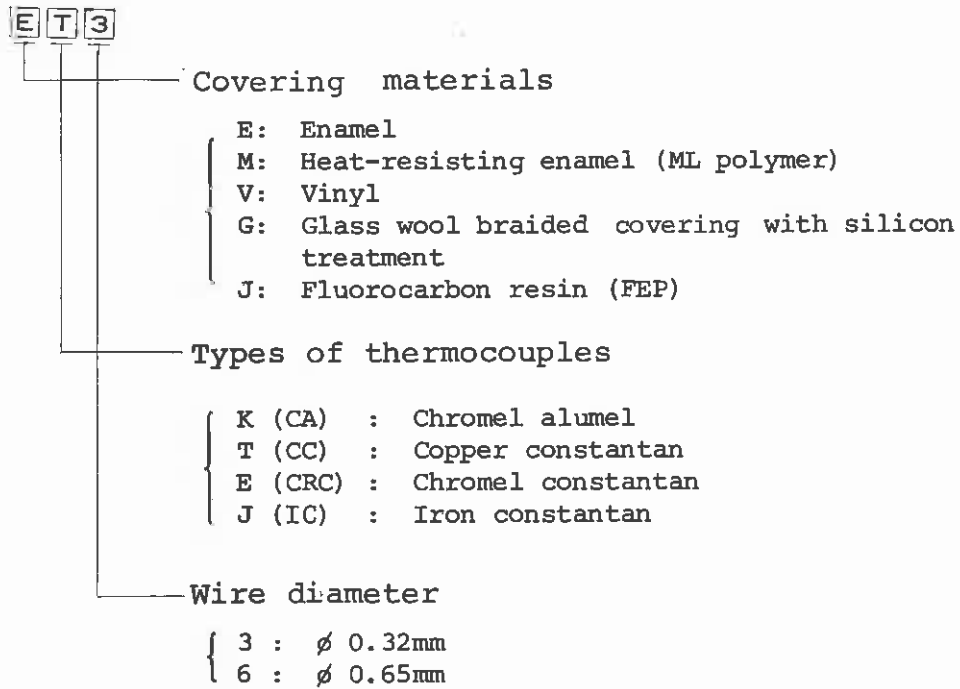
● Glass wool braiding (G□□)

Applications	Heat resistance, flame resistance
Composition	<p>External glass wool braided covering (B)</p> <p>Core glass wool braided covering (C)</p> <p>Tip (welded)</p> <p>Tube thermosetting covering (A)</p> <p>Thermocouple wire (D)</p> 

● Fluorocarbon resin (J□□)

Applications	Large mechanical strength, strongest chemical resistance, water-proofing, weather-proofing
Composition	<p>Tip (welded)</p> <p>External fluorocarbon resin covering (A)</p> <p>Core fluorocarbon resin covering (B)</p> <p>Thermocouple wire (C)</p> 

■ MODELS (Codes)



(Note)

The types of thermocouples and wire diameters are limited according to the coverings. For details, refer to general specifications.

■ GENERAL SPECIFICATIONS

Model (code)	Wire	Wire diameter (ømm)	Finished outer diameter (ømm)	Normal limit (°C)	Maximum limit (°C)	Covering of core			External covering		JIS class					
						Materials (+ side, - side)	Covering color + side	- Side	Material	Color						
ET3	T	0.32	0.34	80	105	Enamel	Primary color	Primary color			0.75 class					
ET6		0.65	0.68													
MK3	K	0.32	0.34	100	120	Heat-resisting enamel (ML polymer)	Red	Green								
VT3	T	0.32	2.2×3.4	60	100	Vinyl	Red	White	Vinyl	Brown						
VT6		0.65	2.5×4.0													
VK3	K	0.32	2.2×3.4													
VK6		0.65	2.5×4.0									Blue				
GT3	T	0.32	2.0×3.0	200	250	Glass wool braided covering with silicon treatment	Primary color (white) plus red line	Primary color (white)	Grass wool braided covering with cellulose treatment	Brown						
GT6		0.65	2.2×3.3													
GK3	K	0.32	2.0×3.0													
GK6		0.65	2.2×3.3								Blue					
GE3	E	0.32	2.0×3.0													
GE6		0.65	2.2×3.3								Purple					
GJ3	J	0.32	2.0×3.0													
GJ6		0.65	2.2×3.3								Yellow					
JT3	T	0.32	1.3×2.0							200	250	Fluorocarbon resin (FEP)	Red	White	Fluorocarbon resin (FEP)	Brown
JT6		0.65	1.8×4.0													
JK3	K	0.32	1.3×2.0													
JK6		0.65	1.8×4.0		Blue											
JE3	E	0.32	1.3×2.0													
JE6		0.65	1.8×4.0		Purple											
JJ3	J	0.32	1.3×2.0													
JJ6		0.65	1.8×4.0		Yellow											

**CHINO CORPORATION**

32-8, KUMANO-CHO, ITABASHI-KU, TOKYO 173

Telephone: 81-3-3956-2171  
Facsimile : 81-3-3956-0915