

# JZ SERIES SOLID STATE RELAY

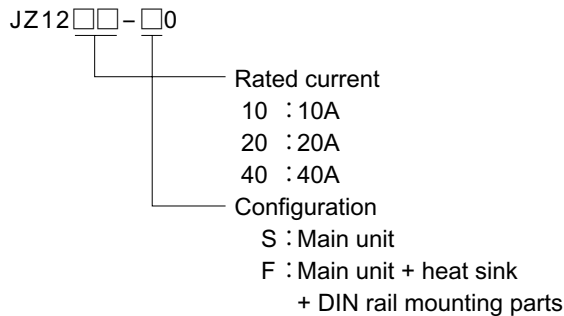


JZ series is a very reliable small semiconductor switch for power conditioning of resistance load. By Zero Cross Switching mode, we achieve on-off control of alternating current from 100V to 240V with low noise.

## FEATURES

- Slim form with small space
- Wide input voltage range of 5 to 24V DC.  
Connection to SSR drive type controller and PLC available.
- High reliability by protection circuit built-in.
- Very visible with LED display
- DIN rail mounting parts are prepared

## MODELS



## Rated load power

	JZ1210 (10A)	JZ1220 (20A)	JZ1240 (40A)
with heat sink	0.1 to 10A	0.1 to 20A	0.5 to 40A
without heat sink	0.1 to 4A	0.1 to 5A	0.5 to 6A

\*Depending on ambient temperature. Please refer to "load current-ambient temperature"

## ACCESSORIES

### DIN rail mounting parts

Please use it without heat sink, and when DIN rail mounting parts is installed.

Model	Spec	Weight
JZ911	Rated current 10/20A	10g
JZ912	Rated current 40A	20g

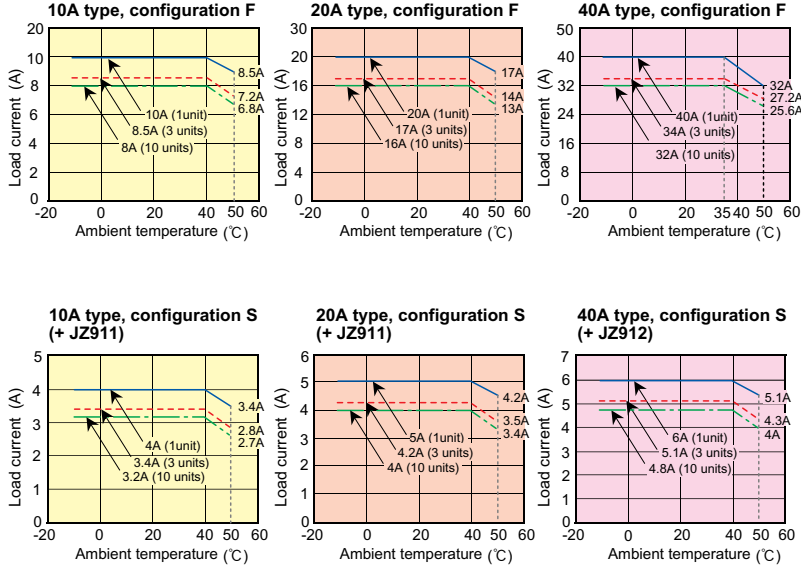


## SPECIFICATIONS

- Rated operating voltage : 5 to 24V DC
- Rated input current : 7mA or less (at 25°C)
- Rated voltage : 100 to 240V AC
- Non repetitive surge peak on :  
(state current)
  - 150A (10A type)
  - 220A (20A type)
  - 440A (40A type)
- Applied load : Resistive load
- Operate time : 1/2 of load power source cycle +1ms or less
- Release time : 1/2 of load power source cycle +1ms or less
- Output ON voltage drop : 1.6V (RMS) or less
- Leakage current : 10mA or less (at 200V AC)
- Insulation resistance : 100MΩ or more (at 500 V DC, between the input and load terminals, and heat sink)
- Withstand voltage : 3000V AC for 1 min (between the input and load terminals, and heat sink)
- Storage temperature : -20 to 60°C (with no icing or condensation)
- Ambient temperature : -10 to 50°C (with no icing or condensation)  
\*Please refer to "load current - ambient temperature" for details
- Ambient humidity : 45 to 85%RH
- Weight :
  - 10A --- 80g (configuration S)  
260g (configuration F)
  - 20A --- 100g (configuration S)  
280g (configuration F)
  - 40A --- 100g (configuration S)  
380g (configuration F)

## THE LOAD CURRENT - AMBIENT TEMPERATURE

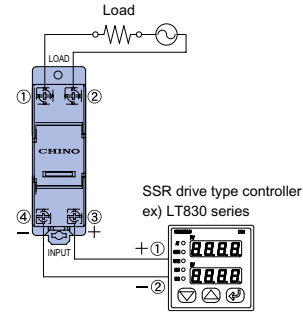
- 1 unit
- - - The high-density or gang mounting of 3 units
- · - · The high-density or gang mounting of 10 units



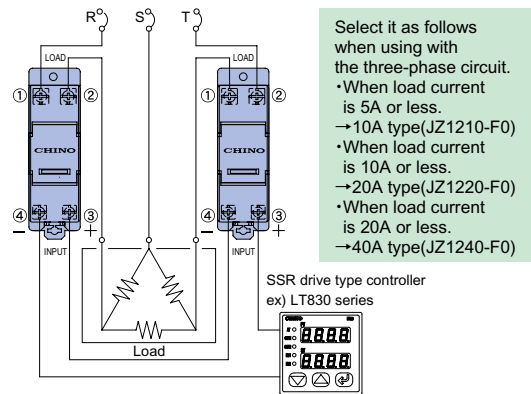
## CONNECTION

«For connecting with the SSR drive type controller»

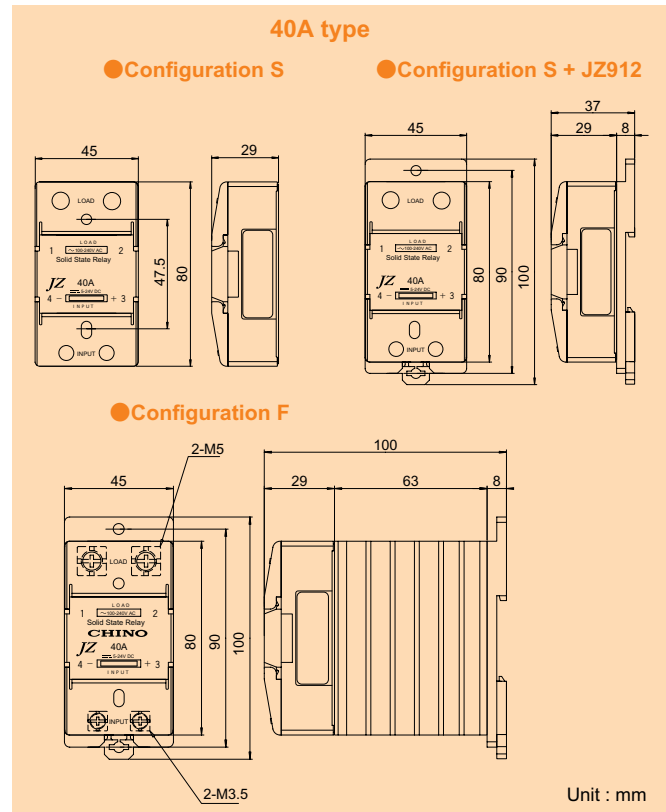
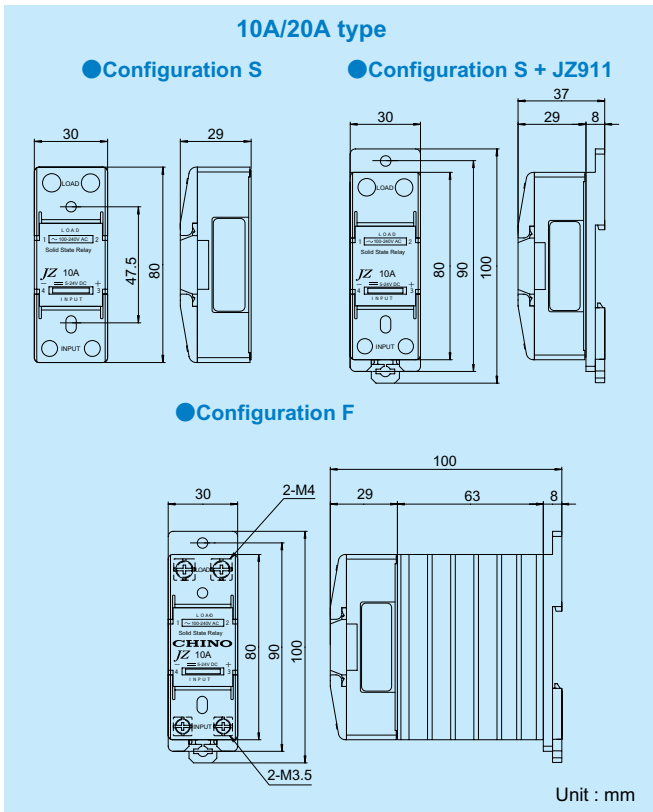
### Single-phase circuit



### Three-phase circuit



## DIMENSIONS



Specifications subject to change without notice. Printed in Japan (I) 2009. 10

## CHINO CORPORATION

32-8 KUMANO-CHO, ITABASHI-KU, TOKYO 173-8632  
 Telephone : +81-3-3956-2171  
 Facsimile : +81-3-3956-0915  
 E-mail : inter@chino.co.jp  
 Website : http://www.chino.co.jp/