

# PDF Chart Graphic Recorder

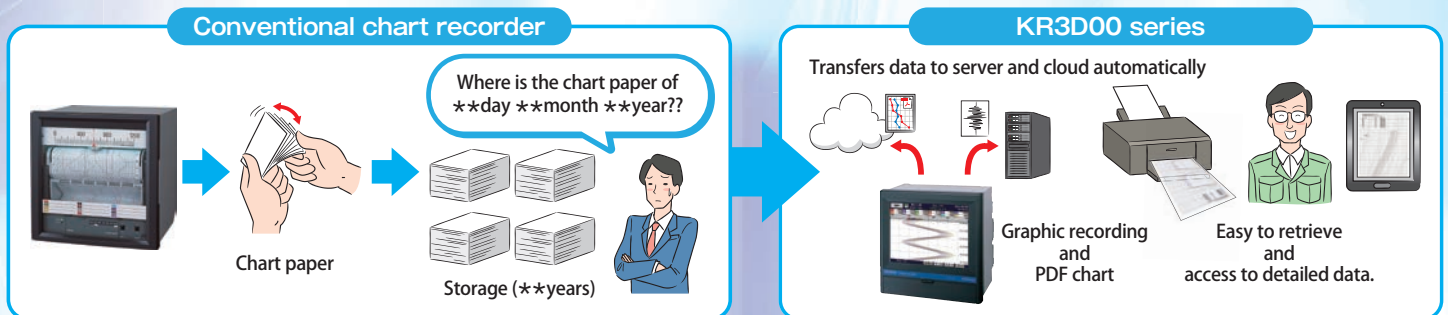
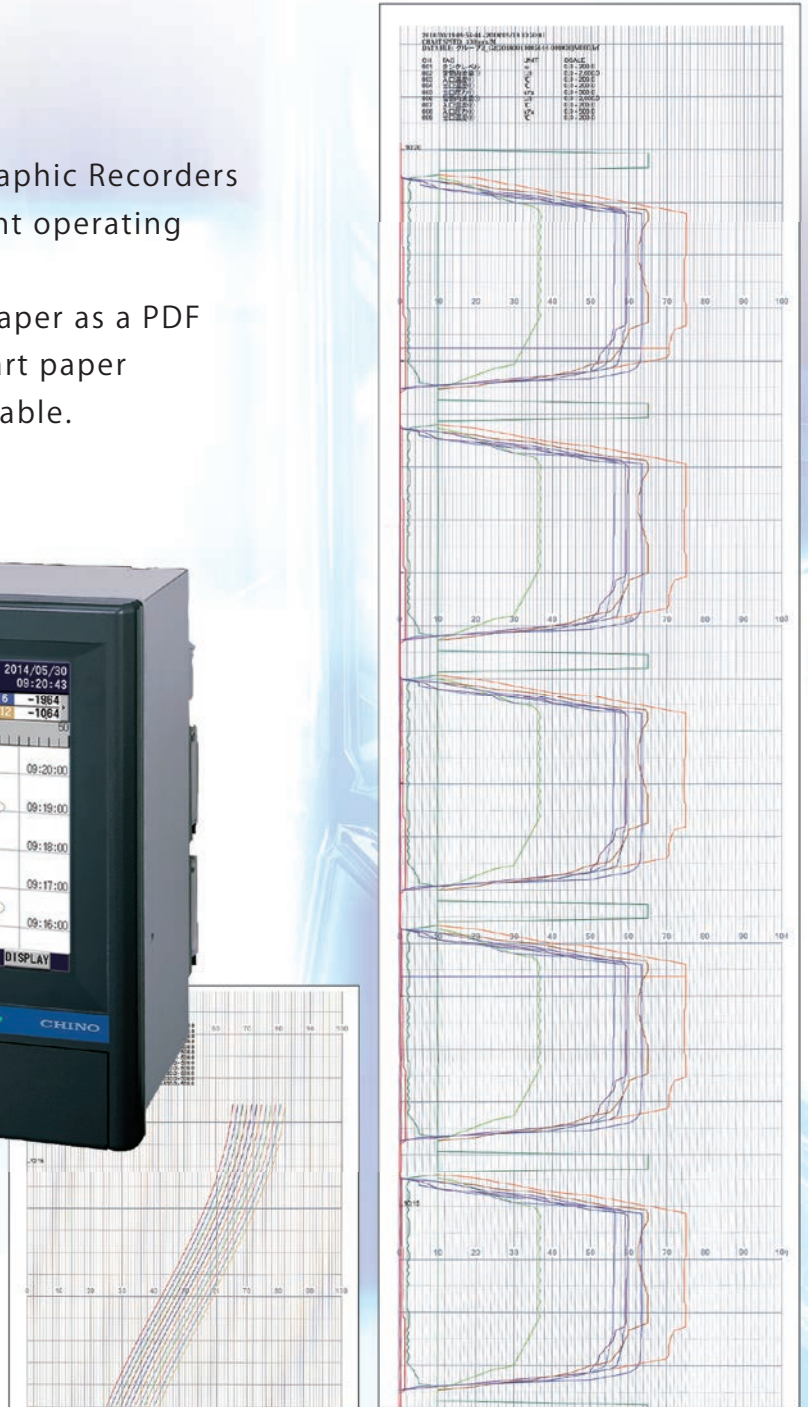
## KR3D00 series

KR3D00 series are advanced paperless Graphic Recorders that offers high performance and excellent operating functions along with color LCD display.

Graphic Recorder KR3D00 creates chart paper as a PDF file adapting to needs of chart paper. Chart paper storage, search and sharing are also available.

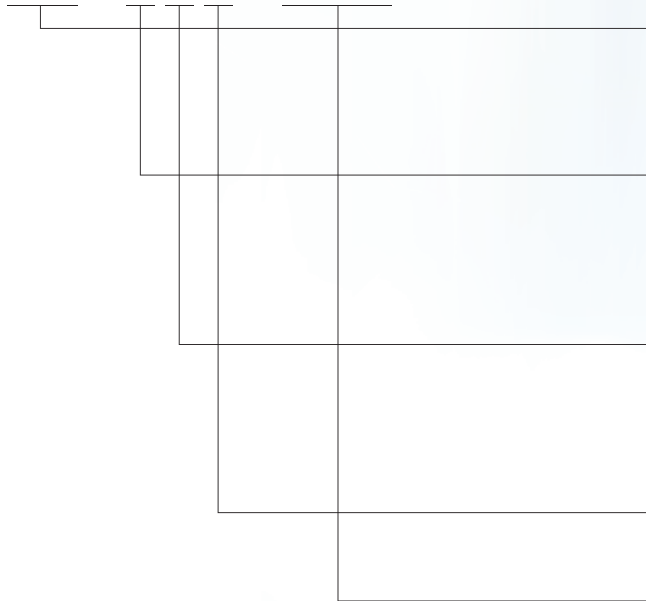


- KR3D00 can create 100, 180 and 250mm width chart paper in PDF format and output in the same size as the chart paper. Chart paper scale is selectable.



## MODELS

KR3D □ □ — □ □ □ — □ □ □



### Measurement point/sampling rate

21 : Input 12 points/1 sec.  
41 : Input 24 points/1 sec.  
61 : Input 36 points/1 sec.  
81 : Input 48 points/1 sec.

### Communications interface

G : Ethernet+high/low order communication (RS485)(Standard)  
E : Ethernet  
B : Ethernet+low order communications (RS232C D-Sub 9 pin) \*1  
\*Barcode reader exclusive specification  
N : None

### Alarm output, Contact input (option)

0 : None  
2 : Mechanical alarm relay output (4 point 'c' contact)  
7 : Digital input (4 points)  
8 : Mechanical alarm relay output (2 points 'c' contact)  
+Digital input (2 points)

### Installation type

A : Panel mounting type  
T : Portable type (Grip and rubber feet attached)\*1

### Others (option)

-NNN : None  
-1NN : Custom graphic screen  
-2NN : High Accuracy Temperature Converter KT-M input  
(Com. interface G)  
-3NN : Custom graphic screen + High Accuracy Temperature  
Converter KT-M input (Com. interface G)  
-N1N : Barcode reader specifications  
(Barcode reader/others are sold separately)(Com. interface B) \*1  
-N2N : Barcode recipe specifications  
(Barcode reader/others are sold separately)(Com. interface B) \*1  
-NNP : Past profile replay

\*1 Non-conformance to CE

- Data is able to be extracted only in required interval.
- PDF password protection function prevents falsification.
- Able to print the information linked to recorders such as product name and lot number.
- Information input by bar code and printing are also possible.
- Equipped with network function (FTP, email) and others.
- Analog trend recording, list printing and fixed-time digital printing are also possible.

## SPECIFICATIONS

Measuring points: 12 points, 24 points, 36 points and 48 points

Input types: Universal  
DC voltage...  $\pm 13.8\text{mV}$  to  $\pm 50\text{V}$   
Thermocouple... B, R, S, K, E, J, T, N, PtRh40-Ptrh20, Nimo-Ni,  
WRe5-Wre26, W-WRe26, CR-AuFe, Platinel II, U, L  
Resistance thermometer... Pt100, JPt100, Pt50, Pt-Co

Sampling rate: Approximately 1sec. / All points

Internal memory: Flash memory (8MB)

External memory: CF card (128MB to 8GB)

Recording cycle: 1, 2, 3, 5, 10, 15, 10, 20 s  
1, 2, 3, 5, 10, 15, 20, 30, 60min

Logging data: Measured data>>>file name (group name), time of day,  
month and year of recording start, tag,  
measured data, alarm status/types, others

Setting parameter

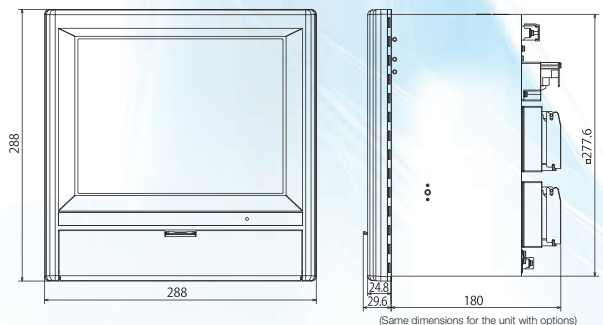
Rated power supply voltage:  
100 to 240 V AC (universal power supply), 50/60Hz

Maximum power consumption:  
60 VA

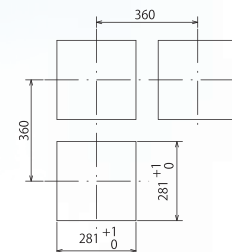
Installation method:

Panel mount

Weight: Approximately 5.6kg



### ● PANEL CUTOUT AND MINIMUM CLEARANCE



\* The names of companies and products mentioned in this catalog are trademarks or registered trademarks of those companies.

## ⚠ Cautions on Safety

- This product was designed and manufactured as a general industrial measuring device.
- In installing, connecting and using this product, read the manual sufficiently and then use the product correctly.
- The written contents may be changed without advance notice because of improvement in the performance etc. Please understand it in advance.
- The contents in this catalog are as of November, 2019.

**CHINO**

**CHINO CORPORATION**

32-8, Kumano-cho, Itabashi-ku, Tokyo 173-8632, Japan  
Phone: +81-3-3956-2171 Facsimile: +81-3-3956-0915 E-mail: inter@chino.co.jp  
UPL: https://www.chino.co.jp

Cat.No.CXE-52-01 Nov.'19 @PDF