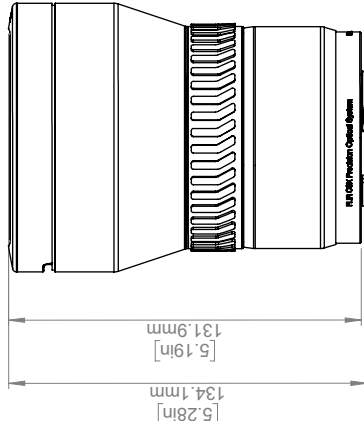
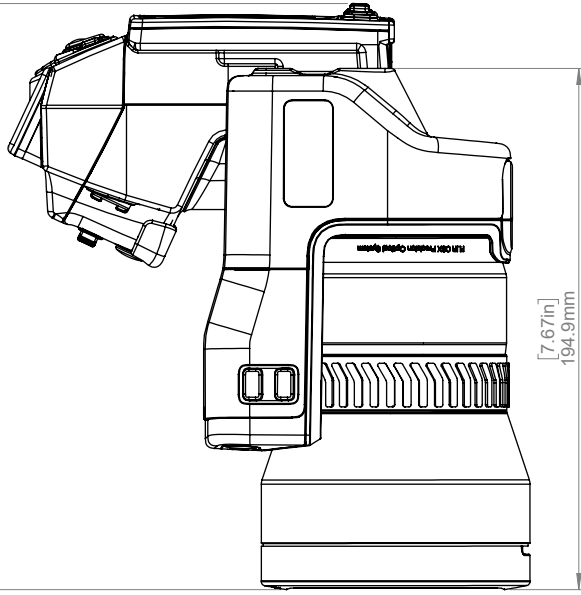
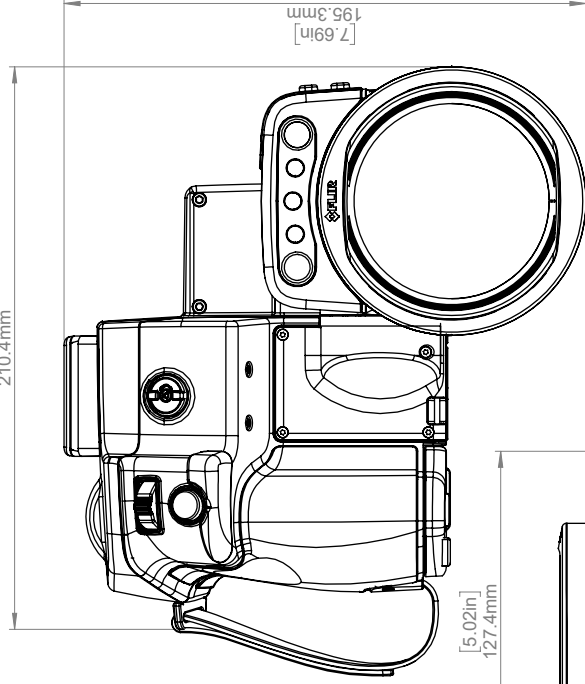


IR-LENS 12° (f=83,4mm)

[8.63in]
219.2mm

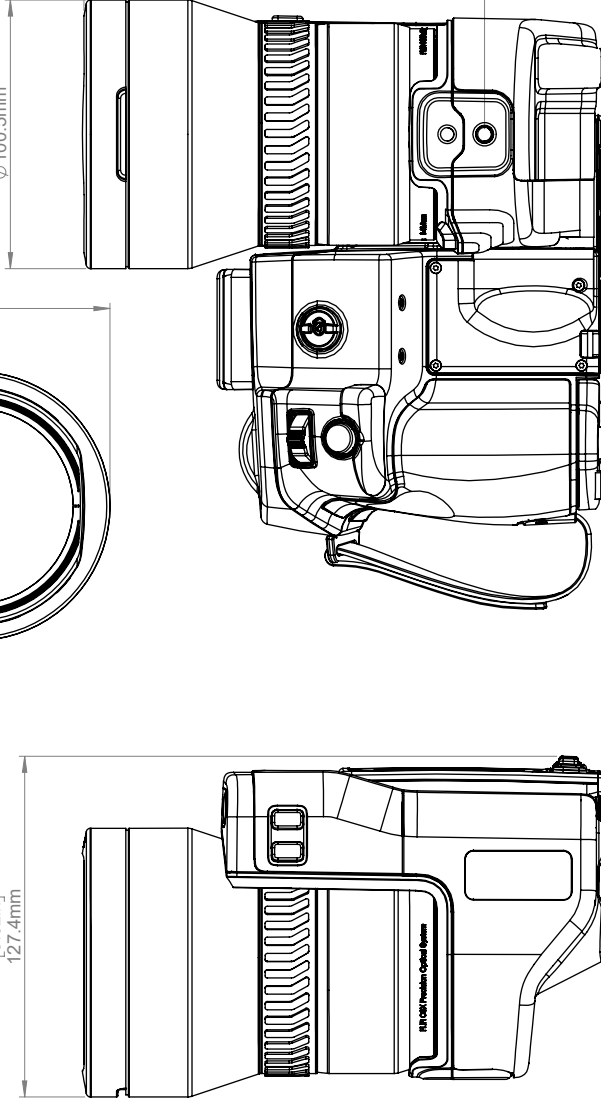


[8.29in]
210.4mm

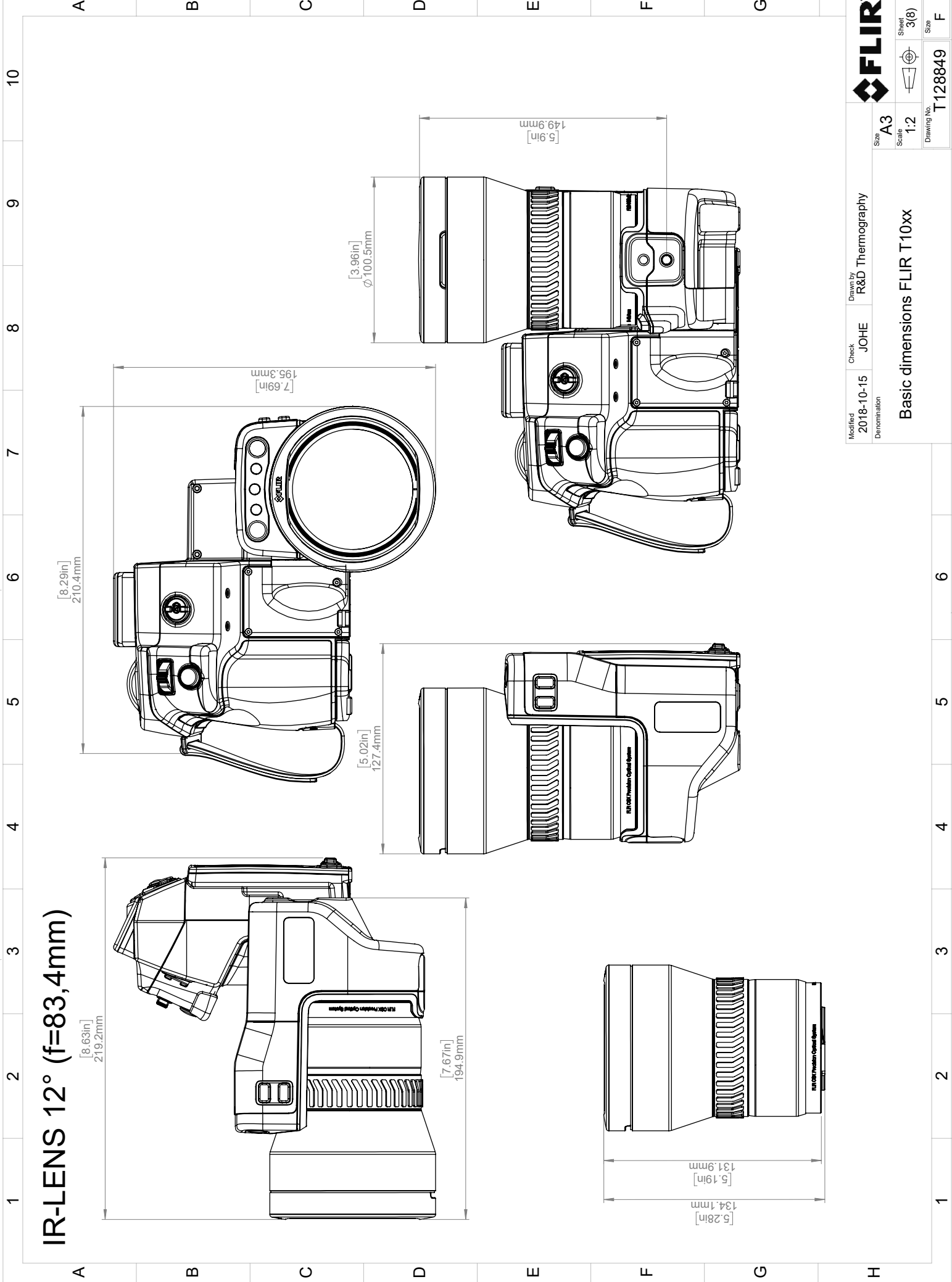


[5.02in]
127.4mm

[3.96in]
ϕ100.5mm



[5.9in]
149.9mm



© 2012, FLIR Systems, Inc. All rights reserved worldwide. No part of this drawing may be reproduced, stored in a retrieval system, or transmitted in any form, or by any means, electronic, mechanical, photocopying, recording, or otherwise, without written permission from FLIR Systems, Inc. Specifications subject to change without further notice. Dimensional data is based on nominal values. Products may be subject to regional market considerations. License procedures may apply. Product may be subject to US Export Regulations. Please refer to exportquestions@flir.com with any questions. Diversion contrary to US law is prohibited.

Modified 2018-10-15 Denomination	Check JOHE	Drawn by R&D Thermography	FLIR
Basic dimensions FLIR T10xx			Sheet 3(8)
Size A3	Scale 1:2	Drawing No. T128849	Size F