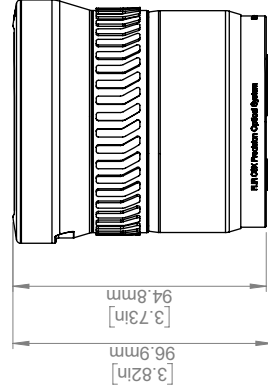
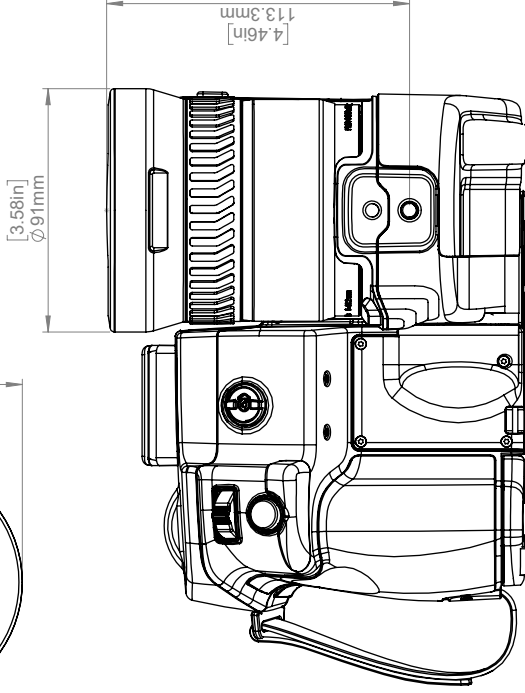
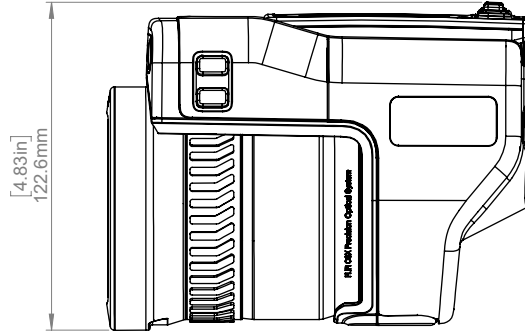
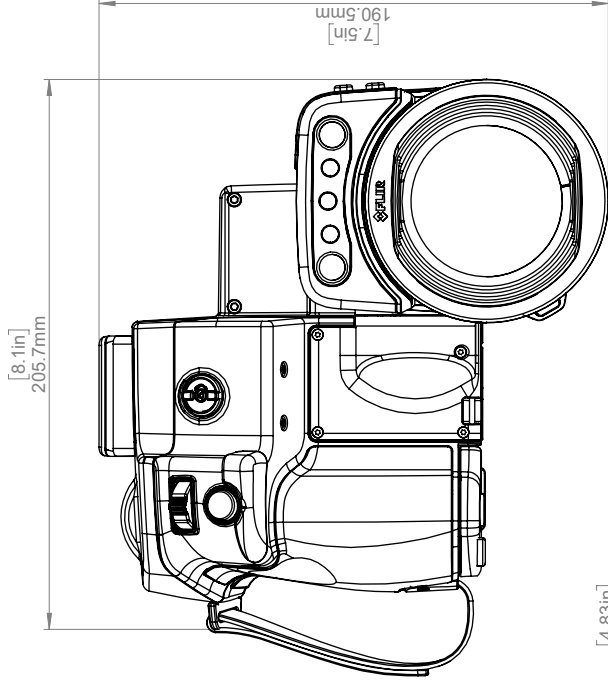
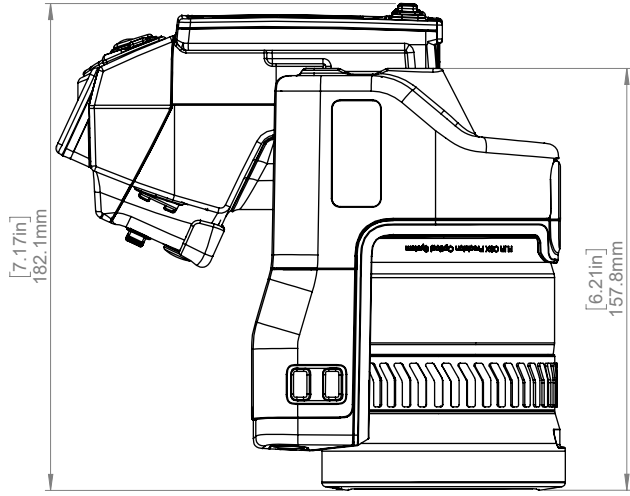


IR-LENS 45° (f=21,2mm)



Modified	2018-10-15	Check	JOHE	Drawn by	R&D Thermography	FLIR
Denomination	Basic dimensions FLIR T10xx			Size	A3	Sheet
				Scale	1:2	5(8)
				Drawing No.	T128849	Size
						F

© 2012, FLIR Systems, Inc. All rights reserved worldwide. No part of this drawing may be reproduced, stored in a retrieval system, or transmitted in any form, or by any means, electronic, mechanical, photocopying, recording, or otherwise, without written permission from FLIR Systems, Inc. Specifications subject to change without further notice. Dimensional data is based on nominal values. Product may be subject to US Export Regulations. Please refer to exportquestions@flir.com with any questions. Diversion contrary to US law is prohibited.